

HDSP CIB

- Two-stage surge protection of connected CIB bus device.
- They are installed prior to the protected equipment and at the interface of LPZs 1 – 2 and higher.
- They increase the EMC level of the connected equipment against switching and atmospheric transients.
- Connecting the module allows to use the permanent maximum current load of the CIB bus, it is only necessary to check the permissible bus voltage drops within the whole installation by calculation.
- They provide cable shield protection by limiting pulse overvoltage through a built-in 90 V gas discharge tube.

Type		HDSP CIB
Testing category according to IEC 61643-21:2000 and EN 61643-21:2001		C2, C3, B3
Number of pairs		1
Connector type		Screw terminals
Maximum continuous operating voltage DC of line X1-9, X3-9, X1-3	U_C	36 V
Maximum continuous operating voltage DC X7-9	U_C	70 V
Rated load current of line X1-2, X3-4	I_L	1 A
C2 Nominal discharge current (8/20)	I_n	5 kA
C2 Voltage protection level X2-10, X4-10 at I_n	U_p	< 67 V
C2 Voltage protection level X2-4 at I_n	U_p	< 58 V
C3 Voltage protection level X2-10, X4-10 at 1 kV/ μ s	U_p	< 48 V
C3 Voltage protection level X2-4 at 1 kV/ μ s	U_p	< 46 V
B3 Voltage protection level X8-10 at 100 V/ μ s	U_p	< 550 V
C3 Voltage protection level X8-10 at 1 kV/ μ s	U_p	< 700 V
Serial resistance of line X1-2, X3-4	R	0.8 Ω
Capacitance X2-4 at 0 V	C	550 pF
Lightning protection zone		LPZ 1-2, LPZ 2-3
Housing material		Polyamid PA6, UL94 V-0
Degree of protection		IP20
Operating temperature	ϑ	-40 ÷ 70 °C
Clamp fastening range (solid conductor)		0.2 ÷ 4 mm ²
Tightening moment		0,5 Nm
Installation		On DIN rail 35 mm
Operating position		Any
Remote signalling		No
Modular design		No

Designed according to standards

Requirements and test methods for SPDs connected to telecommunications and signalling networks		IEC 61643-21:2000
Safety of Flammability of Plastic Materials		UL 94

Application standards

Protection against lightning		IEC 62305:2010
------------------------------	--	----------------

Ordering, packaging and additional data

Mass	m	68 g
Mass (including the packaging)	m	85 g
Packaging dimensions (H x W x D)		52 x 108 x 83 mm
Packaging value	V	0.47 dm ³
ETIM group		EG000021
ETIM class		EC000943
Customs tariff no.		85363010
EAN code		8590681185810
Art. number		56 057

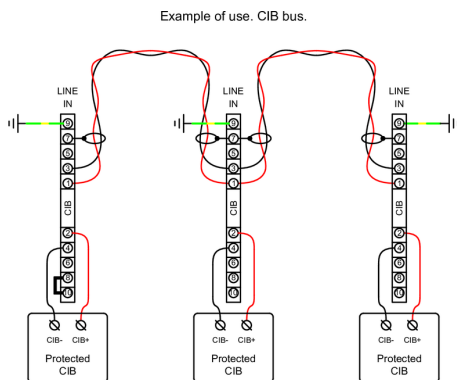


The link in the QR code leads to the online presentation of the **HDSP CIB**. There, in addition to the always up-to-date data sheet, you will also find all diagrams and drawings, declarations of conformity, or 2D or 3D models and other necessary materials. For more information, visit www.hakel.com



8590681185810

Application wiring diagram (installation)



Internal diagram

