

HSA-720/4+0

- Surge arresters type T2+T3 ensure the equipotential bonding and reduce switching, induced and residual overvoltage in LV power supply systems.
- The products consist of varistors with big discharge ability.
- Configurations 1+1 and 3+1 are additionally combined with a gas discharge tube which ensures zero leakage current through the PE conductor.
- Installed at the boundaries of LPZ 1 – LPZ 3 into subsidiary switchboards and control panels.
- If the product contains two PE (or PEN) terminals, it must not be used as a PE (PEN) bridge.
- **S** indication specifies a version with remote monitoring.

Type	HSA-720/4+0	
Test class according to EN 61643-11:2012 (IEC 61643-11:2011)	T2, T3	
System	TN-S	
Number of poles	4	
Rated operating AC voltage	U_N	600 V
Maximum continuous operating voltage AC	U_C	720 V
Maximum discharge current (8/20)	I_{max}	40 kA
Nominal discharge current for class II test (8/20)	I_n	15 kA
Open circuit voltage of the combination wave generator	U_{OC}	6 kV
Total discharge current (8/20) L1+L2+L3+N->PE	I_{Total}	160 kA
Voltage protection level at I_n	U_p	< 2.6 kV
Voltage protection level at U_{OC}	U_p	< 2 kV
Temporary overvoltage test (TOV) for $t_T = 5$ s	U_T	875 V
Temporary overvoltage test (TOV) for $t_T = 120$ min	U_T	1 143 V
Response time	t_A	< 25 ns
Maximal back-up fuse	160 A gL/gG	
Residual current	I_{PE}	≤ 600 μA
Short-circuit current rating at maximum back-up fuse	I_{SCCR}	60 kA _{rms}
Lightning protection zone	LPZ 1-2, LPZ 2-3	
Housing material	Polyamid PA6, UL94 V-0	
Degree of protection	IP20	
Operating temperature	θ	-40 ÷ 70 °C
Humidity range	RH	5 ÷ 95 %
Minimum cross-section of connected Cu conductors accord. to HD 60364-5-53:2022 (doesn't apply to „V“ connection) for T2	S	2.5 mm ² (L, N) 6 mm ² (PE, PEN)
Clamp fastening range (solid conductor)	1.5 ÷ 25 mm ²	
Clamp fastening range (stranded conductor)	1.5 ÷ 16 mm ²	
Tightening moment	3 Nm	
Installation	On DIN rail 35 mm	
Modular width	4 TE	

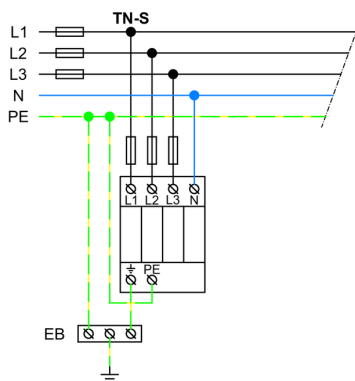
Type	HSA-720/4+0	
Operating position	Any	
Product placement environment	Internal	
Signalling at the device	Optic	
Importance of local signalling	OK – clear target FAULT – red target	
Remote signalling	No	
Modular design	No	
Lifetime	> 100 000 h	
Designed according to standards		
Requirements and test methods for SPDs connected to low-voltage power systems	IEC 61643-11:2011	
Safety of Flammability of Plastic Materials	UL 94	
Application standards		
Protection against lightning	IEC 62305:2010	
Selection and erection of electrical equipment – Switchgear and controlgear	HD 60364-5-53:2022	
Selection and application principles for SPDs connected to low-voltage power systems	CLC/TS 61643-12:2009	
Ordering, packaging and additional data		
Mass	m	444 g
Mass (including the packaging)	m	472 g
Packaging dimensions (H x W x D)	74 x 112 x 73 mm	
Packaging value	V	0.61 dm ³
ETIM group	EG000021	
ETIM class	EC000941	
Customs tariff no.	85363010	
EAN code	8590681115770	
Art. number	24 606	



The link in the QR code leads to the online presentation of the HSA-720/4+0. There, in addition to the always up-to-date data sheet, you will also find all diagrams and drawings, declarations of conformity, or 2D or 3D models and other necessary materials. For more information, visit www.hakel.com



Application wiring diagram (installation)



Internal diagram

