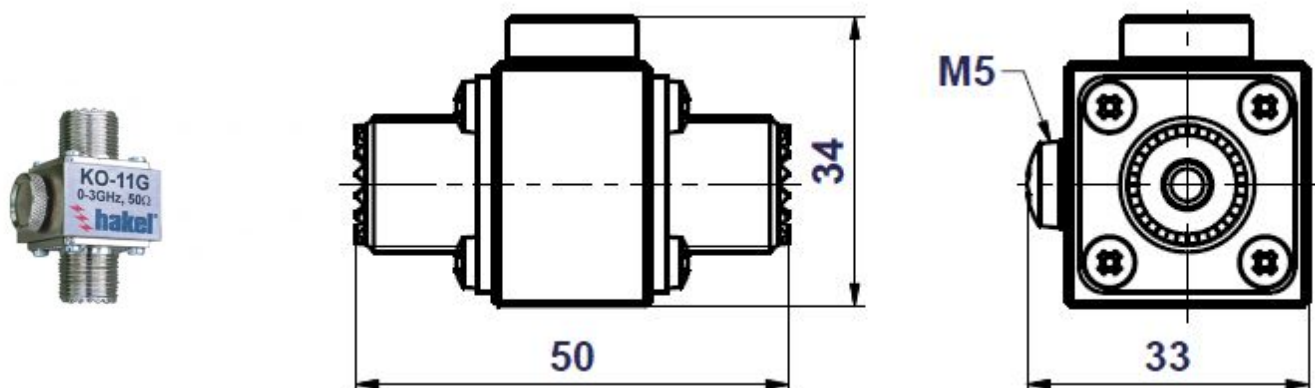


Coaxial lines (microwave, wireless)



KO-11G

KO-11G is an innovated coaxial high-frequency protection range designed for protection of equipment connected to an aerial system by means of coaxial cables. Special gas discharge tubes with maximum discharge current I_{max} (8/20) = **10kA** ensure a reliable protection of the receiving and transmitting systems even against a lightning stroke nearby. Hakel company offers a wide range of coaxial protectors for various connector types and transmission power grades enabling usage in many applications. These coaxial protectors are recommended for use in the Lightning Protection Zones Concept at the boundaries of LPZ 0A(B) -1 and higher according to **EN 62305**.

Typ		KO-11G
Connector type		UHF connector
KO-11G		90 V
Rated load current	I_L	5 A
D1 Max. lightning impulse current I_{imp} (10/350 μ s)	I_{imp}	2 kA
C2 Max. discharge current (8/20)	I_{max}	10 kA
C2 Nominal discharge current I_n (8/20)	I_n	5 kA
C3 Voltage protection level at 1 kV/ μ S	U_p	600 V
Frequency range		0-3 GHz
Max. transmission power capacity		50 W
Insertion loss		< 1,5 dB
Return loss		> 20 dB
Characteristic impedance		50 Ω
Category tested acc. to IEC 61643:21-2000		A2, B2, C2, C3, D1
Article number		
KO-11G		55 011