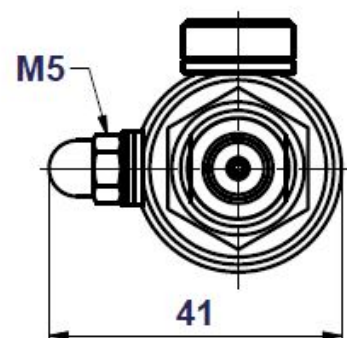
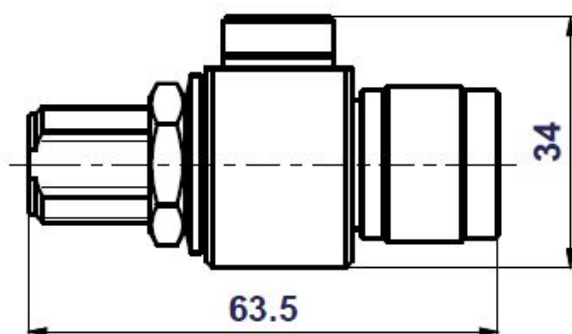


Coaxial lines (microwave, wireless)



KO-4GN (F/M)

KO* is an innovated **coaxial high-frequency protection range** designed for protection of equipment connected to an aerial system by means of coaxial cables. Special gas discharge tubes with **maximum discharge current $I_{max} (8/20) = 10\text{kA}$ (or 20 kA in case of KO-5GN)** ensure a reliable protection of the receiving and transmitting systems even against a lightning stroke nearby. Hakel company offers a wide range of coaxial protectors for various connector types and transmission power grades enabling usage in many applications. These coaxial protectors are recommended for use in the **Lightning Protection Zones Concept at the boundaries of LPZ 0_{A(B)} -1 and higher according to EN 62305.**

Typ		KO-4GN (F/M)
Connector type		N connector
Maximum continuous operating voltage	U_c	350 V
Rated load current	I_L	5 A
D1 Max. lightning impulse current $I_{imp} (10/350 \mu\text{s})$	I_{imp}	2 kA
C2 Max. discharge current (8/20)	I_{max}	10 kA
C2 Nominal discharge current $I_n (8/20)$	I_n	5 kA
C3 Voltage protection level at 1 kV/ μs	U_p	850 V
Frequency range		0-3 GHz
Max. transmission power capacity		400 W
Insertion loss		< 0,65 dB
Return loss		> 20 dB
Characteristic impedance		50 Ω
Category tested acc. to IEC 61643:21-2000		C1, C2, C3, D1
Article number		
KO-4GN (F/M)		55 021