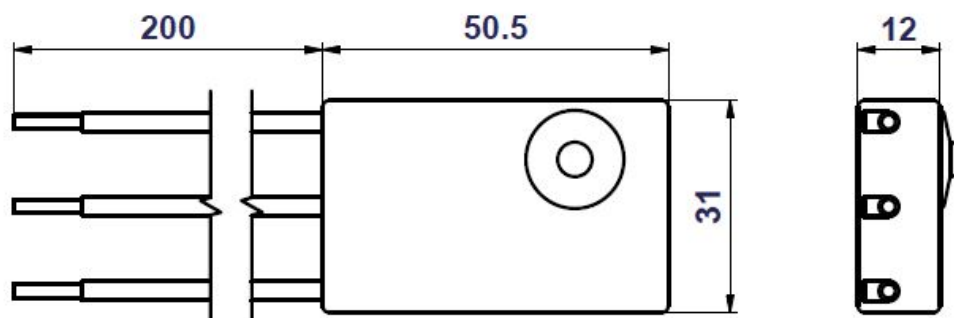


# 1-phase power supply network (SPD)

TYP3, CLASS III / TN-S



## ZS-11

**ZS-11, ZS-1P are the surge arresters type 3 according to EN 61643-11 and IEC 61643-11 and IEC 61643-11 designed for installation into electrical installation systems, e.g.: cable ducts and flush-mounted sockets as an additional protection.** These devices are suitable supplements of socket distribution which are protected by PI-k protector. The right function of ZS-11 type is indicated by green LED diode. When the indicator is dark, the device must be replaced or technically checked. ZS-1P contains an acoustic fault indicator (buzzer).

Typ		ZS-11
Test class according to EN 61643-11:2012 (IEC 61643-11)		TYP3, CLASS III
Network type		TN-S
Nominal voltage	$U_n$	230 V AC
Maximum continuous operating voltage	$U_c$	275 V AC
Nominal discharge current for class II test (8/20)	$I_n$	3 kA (L/N), L(N)/PE)
Open circuit voltage	$U_{oc}$	6 kV (L/N,L/PE)
Voltage protection level at $U_{oc}$	$U_p$	< 1 kV (L/N)< 1,2 kV (L,(N)/PE)
Response time	$t_A$	< 25 ns (L+/N)< 100 ns (L/PE,N/PE)
Back-up fuse		16 A
Temporary overvoltage (TOV) L/N	$U_T$	335 V / 5 s (L/N)
Temporary overvoltage (TOV) N/PE	$U_T$	1200 V + $U_0$ / 200 ms (L/PE)
LPZ		2-3
Housing material		Polyamid PA6, UL94 V-0
Degree of protection of enclosure		IP20
Operating temperature	$\vartheta$	-40°C ... +70 °C
Failure signalisation (S)		light on - ok / light off - failure
Lifetime		min. 100 000 h
Weight	m	20 g
Article number		
ZS-11		<b>32 004</b>

