

## HLSA12,5-275/4+0 M

**HLSA12,5-275/4+0 M** (Hakel Lightning Surge Arrester) of the „G-Line“ range is a lightning and surge arrester according to EN 61643-11:2012 (IEC 61643-11:2011) consisting of high energy varistors. Its parameters enable usage in buildings with considerable levels of protection LPL III and LPL IV, such as small administration complexes, residential buildings, family houses or properties and halls without the incidence of persons and indoor equipment. The device is to be installed on the interface of LPZ 0 – LPZ 1 and higher zones according to standard EN 62305:2011 (IEC 62305:2010), closest to where overhead line enters the building i.e. in the main distribution boards. The product has two PE terminals, which can not be used as a PE bridge.

### PARAMETERS

Typ		HLSA12,5-275/4+0 M
Test class according to EN 61643-11:2012 and IEC 61643-11:2011		TYPE 1+2, CLASS I+II
Network type		TN-S
Maximum continuous operating voltage	$U_c$	275 V AC / 350 V DC
Maximum discharge current	$I_{max}$	50 kA
Impulse discharge current for class I test (10/350)	$I_{imp}$	12,5 kA
Charge	$Q$	6,25 As
Specific energy for class I test	W/R	39 kJ/Ω
Total discharge current (10/350) L1+L2+L3+N->PE	$I_{total}$	50 kA
Total discharge current (8/20) L1+L2+L3+N->PE	$I_{total}$	200 kA
Nominal discharge current for class II test (8/20)	$I_n$	25 kA
Voltage protection level	$U_p$	< 1,25 kV
Temporary overvoltage (TOV)	$U_T$	337 V/5 s
Response time	$t_A$	< 25 ns
Max. back-up fuse		160 A gL/gG
Short-circuit current rating at max. back-up fuse	$I_{SCCR}$	60 kA <sub>rms</sub>
LPZ		0-1
Housing material		Polyamid PA6, UL 94 V-0
Degree of protection of enclosure		IP20
Operating temperature	$\vartheta$	-40 °C ... +70 °C
Cross-section of the connected conductors (at tightening moment of clamps 3 Nm)		25 mm <sup>2</sup> (solid) 16 mm <sup>2</sup> (wire)
Method of assembly		DIN rail 35 mm / any
Failure signalisation (S)		optical function signalization target clear – ok / optical function signalization target red - fault
Lifetime		min. 100 000 h
Weight	m	563 g
Article number		
HLSA12,5-275/4+0 M		<b>16 085</b>

### POZNÁMKY

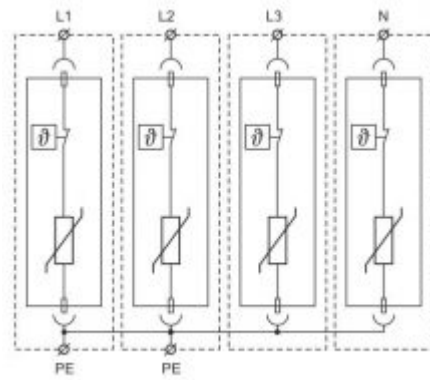
**M** indication specifies a type of construction with removable module.

# HLSA12,5-275/4+0 M

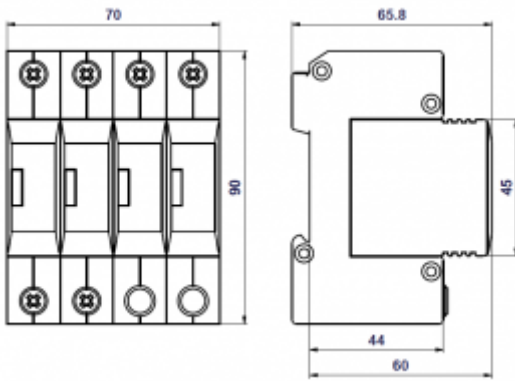
**Product image**



**Internal wiring diagram**



**Dimension drawing**



**Installation diagram**

