

HS50-50 LED

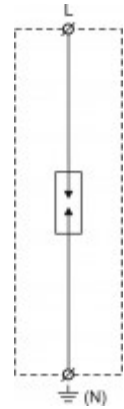
HS50-50 LED is the lightning arrester type 1 according to EN 61643-11 and IEC 61643-1. These are recommended for use in the Lightning Protection Zones Concept at the boundaries of LPZ 0 – 1 (**according to IEC 1312-1 and EN 62305**), where they provide the equipotential bonding and discharge of both, the lightning current and the switching surge, which are generated in power supply systems entering the building. The lightning arresters are constructed as the encapsulated, non-exhaust, multiple spark gaps, which do not have any special requirements for installation in the main switchboards in terms of the gas exhaustion generated during the passage of the lightning current. They are mainly intended for use in the power lines, which are operated as a system TN-C. For TNS and TT systems it is necessary to combine these arresters with single spark gap lightning arrester HS100 (or JK110). **The main usage of the HS lightning arresters is in those objects, which belong according to EN 62305 to the protective level LPL I. This model is equipped with green LED diode signalling the right HS function.**

PARAMETERS

Typ		HS50-50 LED
Test class according to EN 61643-11:2012 and IEC 61643-11:2011		TYP 1, CLASS 1
Network type		TN-C TN-S TT
Maximum continuous operating voltage	U_c	255 V AC
Impulse discharge current for class I test (10/350) L/N	I_{imp}	50 kA
Charge L/N	Q	25 As
Specific energy for class I test L/N	W/R	600 kJ/Ω
Nominal discharge current for class II test (8/20)	I_n	50 kA
Voltage protection level at I_{imp}	U_p	< 2 kV
Temporary overvoltage (TOV)	U_T	334 V/5 s
Response time	t_A	< 100 ns
Follow current interrupt rating	I_{fi}	25 kA _{rms}
Max. back-up fuse		500 A gL/gG
Short-circuit current rating at max. back-up fuse	I_{SCCR}	25 kA _{rms}
LPZ		0-1
Housing material		Polyamid PA6, UL94 V-0
Degree of protection of enclosure		IP20
Operating temperature	ϑ	-40°C ... +70 °C
Cross-section of the connected conductors (at tightening moment of clamps 3 Nm)		35 mm ² (solid) 25 mm ² (wire)
Method of assembly		DIN rail 35 mm
Failure signalisation (S)		green - ok / red - failure
Lifetime		min.100 000 h
Weight	m	225 g
Article number		
HS50-50 LED		10 093

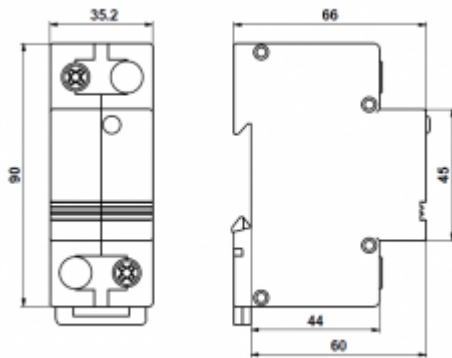
HS50-50 LED

Product image

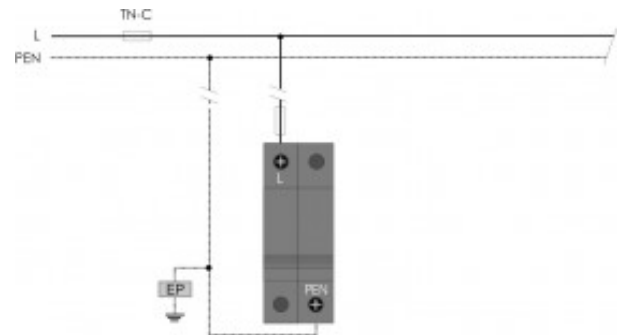


Internal wiring diagram

Dimension drawing



Installation diagram



Installation diagram

